

Part number

CHO 06 L16



Brief description:

hoods for single lever, size "44.27", side entry, Pg16, metal version, IP66

Product description

Version	metal version
Series	hoods for single lever
Product type	with 2 pegs
Variant	side entry
Family	CLASS enclosures
Size	size "44.27"

Technical data

Material	metal
IP degree of protection	IP66 (and IP69K DIN 40050 - 9)
Cable entry	Pg16

Further technical details

Weight	105,00 g
--------	----------

Approvals / Standards

Quality mark	 (type:4/4X/12),  , EAC
Conformity	CQC, CE

General ordering information

EAN13 code	8015747019675
Tariff number	85369095

Packaging Information

Packaging length	150,00 mm
Packaging height	125,00 mm
Packaging width	225,00 mm
Packaging weight	2,20 kg
Packaging volume	4,22 dm ³
Packaging description	Carton box
Packaging quantity	20 Pcs
Packaging EAN code	8015747019682
Sub-packaging weight	0,55 kg
Sub-packaging description	Plastic packaging
Sub-packaging quantity	5 Pcs
Sub-packaging EAN barcode	8015747019699

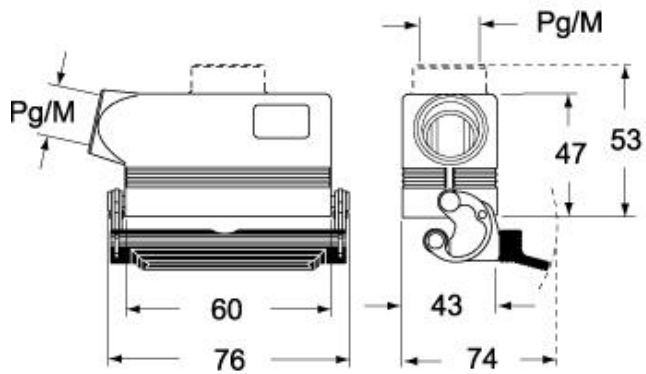
Part number

CHO 06 L16

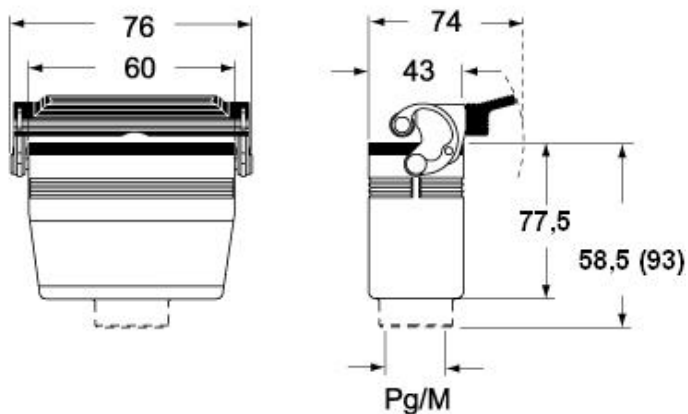


Catalogue drawings

CHO LX CHV LX - MHO LX MHV LX



CHV LG (CAV LG), MHV LG (MAV LG) [MFV LG]



CHO L (CAO L) - MHO (MAO/MFO/MFV L) MHV L [MAV L]

